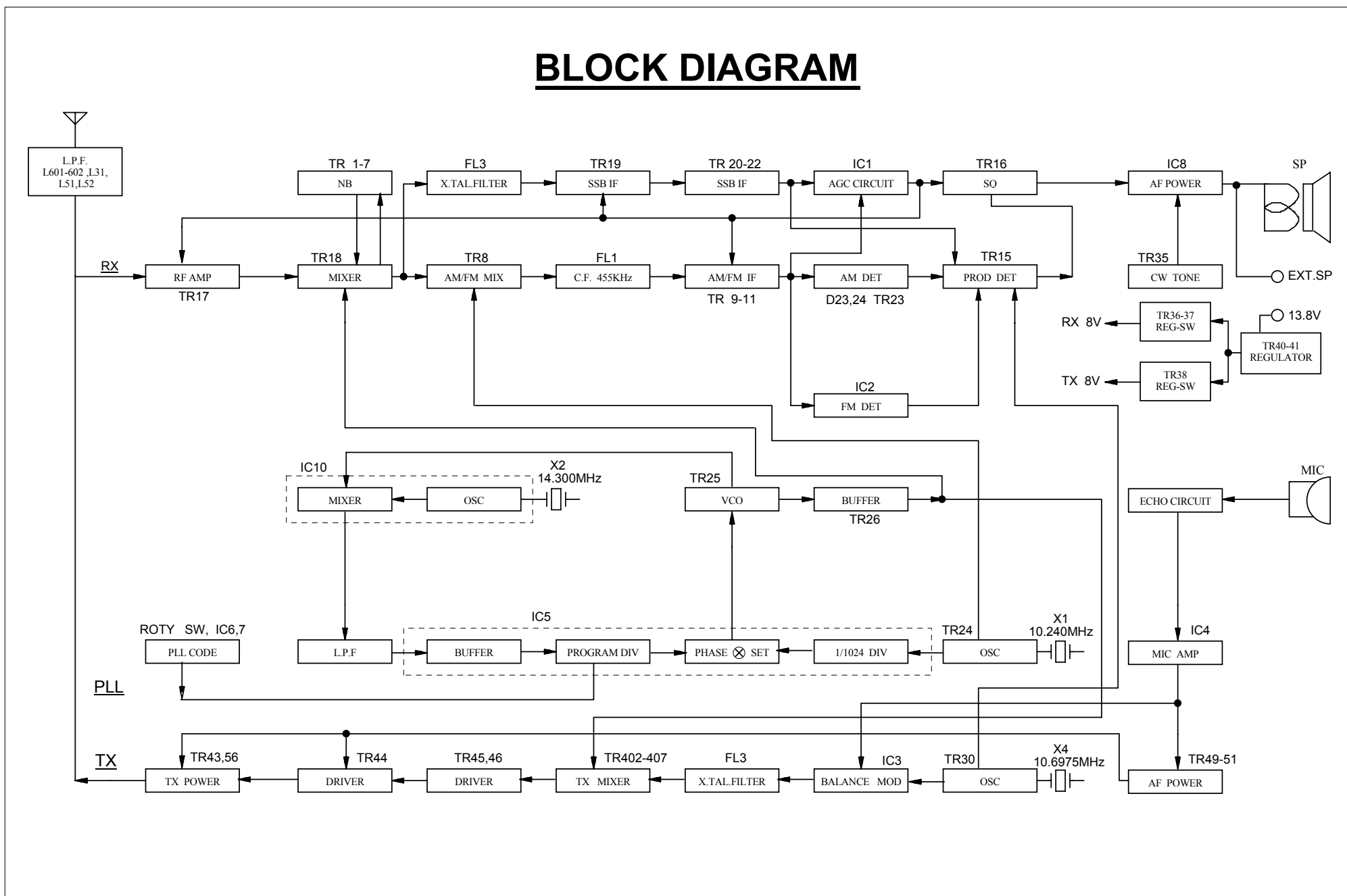
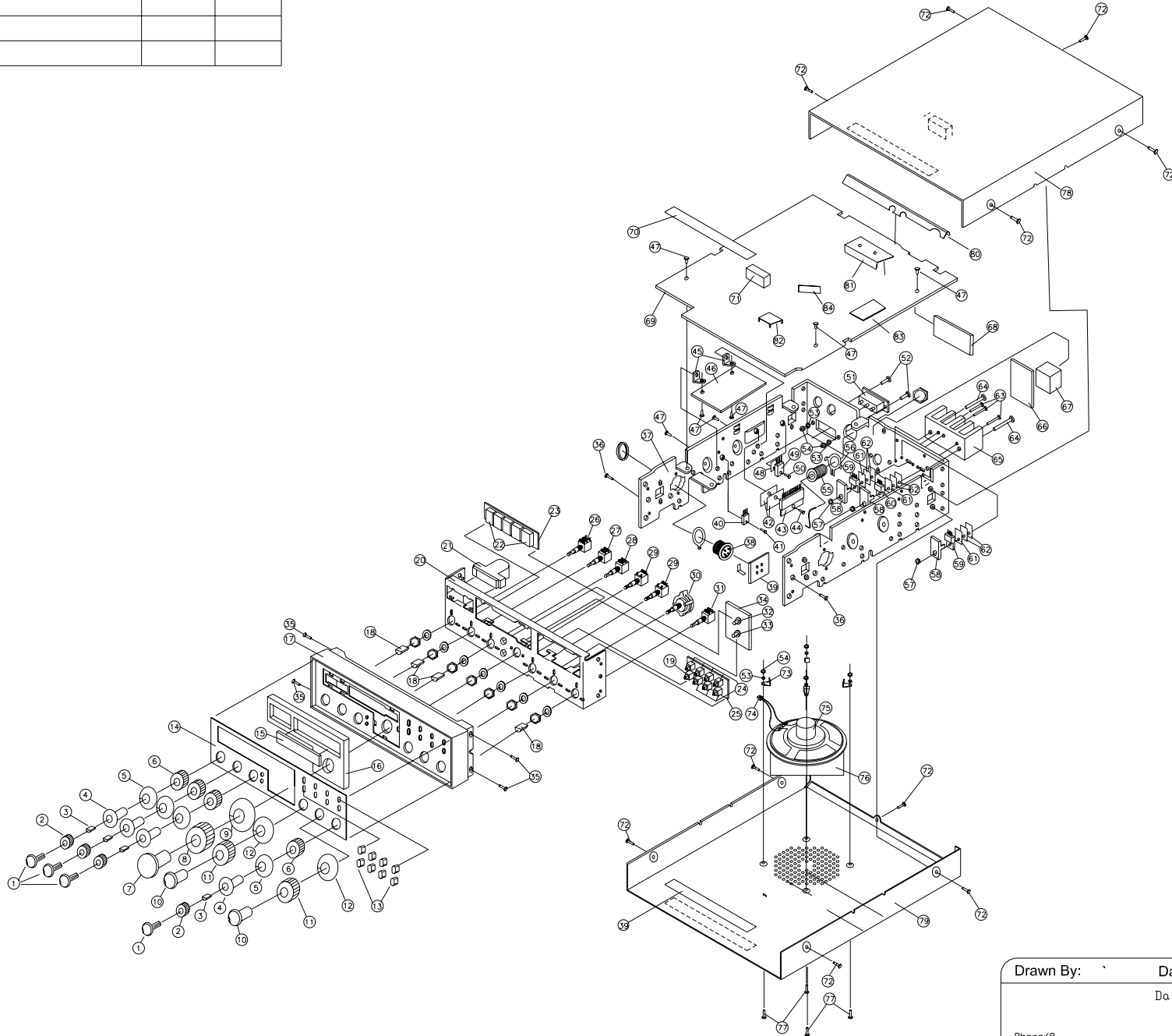


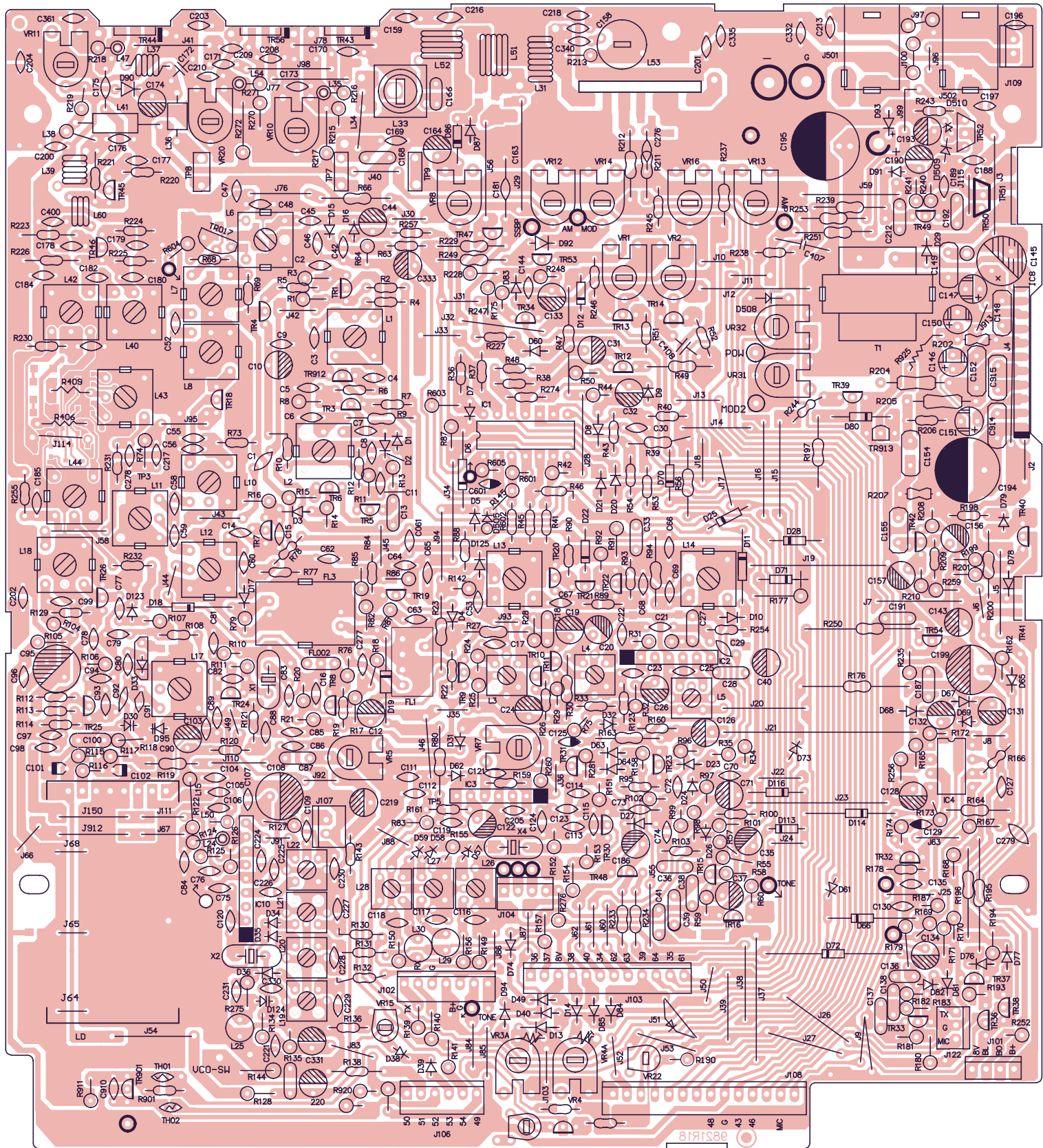
BLOCK DIAGRAM

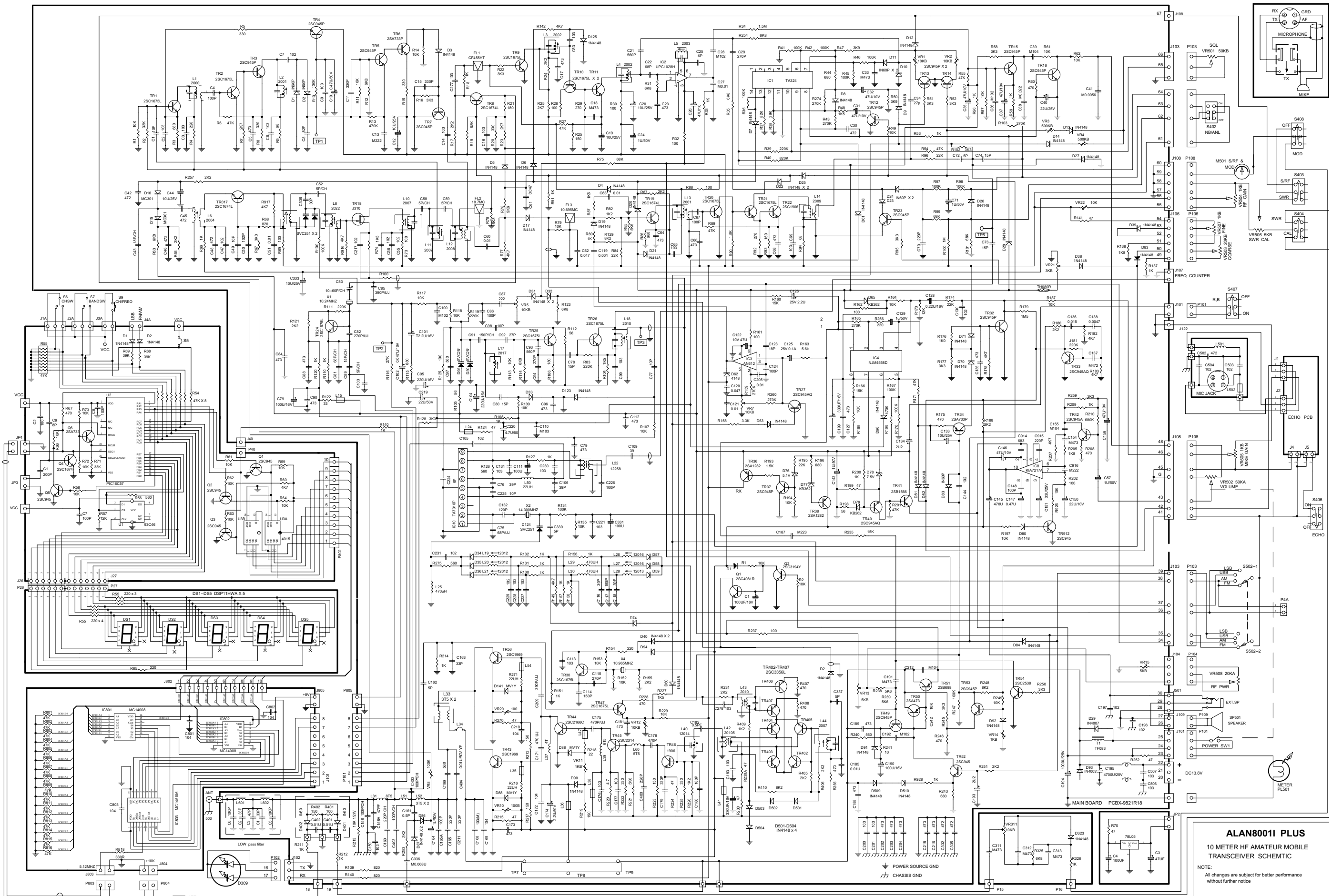


REV	DATE	DESCRIPTION	UPDATE BY	APPD BY



Drawn By:	Date: 2006-04-05	Model:
Phone: P	Date:	Explode View Drawing No:
		Sheet: 1 of 1 Size: 2A





ALAN8001 PLUS
10 METER HF AMATEUR MOBILE
TRANSCEIVER SCHEMATIC

NOTE:
 All changes are subject for better performance
 without further notice